



Parts List

WB -120/150 Series



Version: 2022-01

Contents

Drawing 01. Saw Arbor	2
Drawing 02. Eccentric Mechanism.....	3
Drawing 03. Spindle Elev. Handwheel	4
Drawing 04. Spacer Set & Saw Sleeve.....	5
Drawing 05. Adjustable Linkage.....	6
Drawing 06. Chain Bed & Wheels	7
Drawing 07. Chain Elements	8
Drawing 08. Worm Gear Reducer	9
Drawing 09. Gear Wheel.....	10
Drawing 10. Guiding Fence	11
Drawing 11. Anti-Kickback Finger (B)	12
Drawing 12. Control Panel	13
Drawing 13. Anti-Kickback Finger (TF)	14
Drawing 14. Anti-Kickback Finger (TR)	15
Drawing 15. Pressure Roller Spring.....	16
Drawing 16. Pressure Roller Stand.....	17
Drawing 17. Pressure Plates	18
Drawing 18. Pressure Plate Seat	19
Drawing 19. Roller Elev. Handwheel.....	20

Note:

For parts ordering system, please follow the indications below:

Part Number: AA-BB-000-11-22

AA: Certification (Ex: XP for CE cert.)

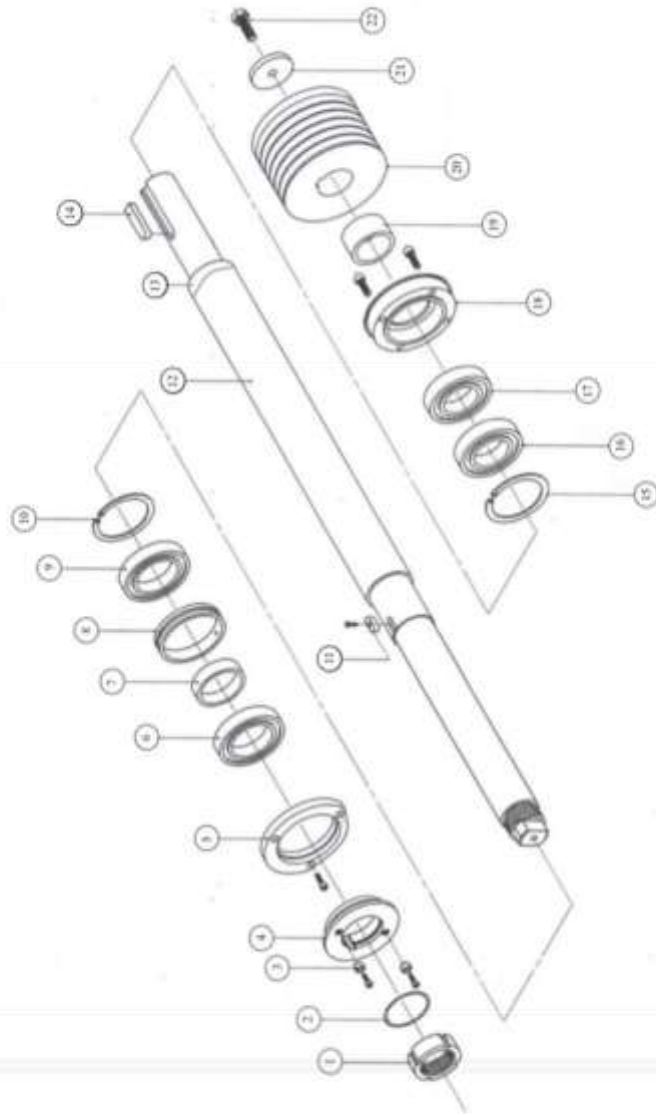
BB: Country Code (Ex: BE for Belgium)

000: Machine Series (Ex: 120 for SJ-120)

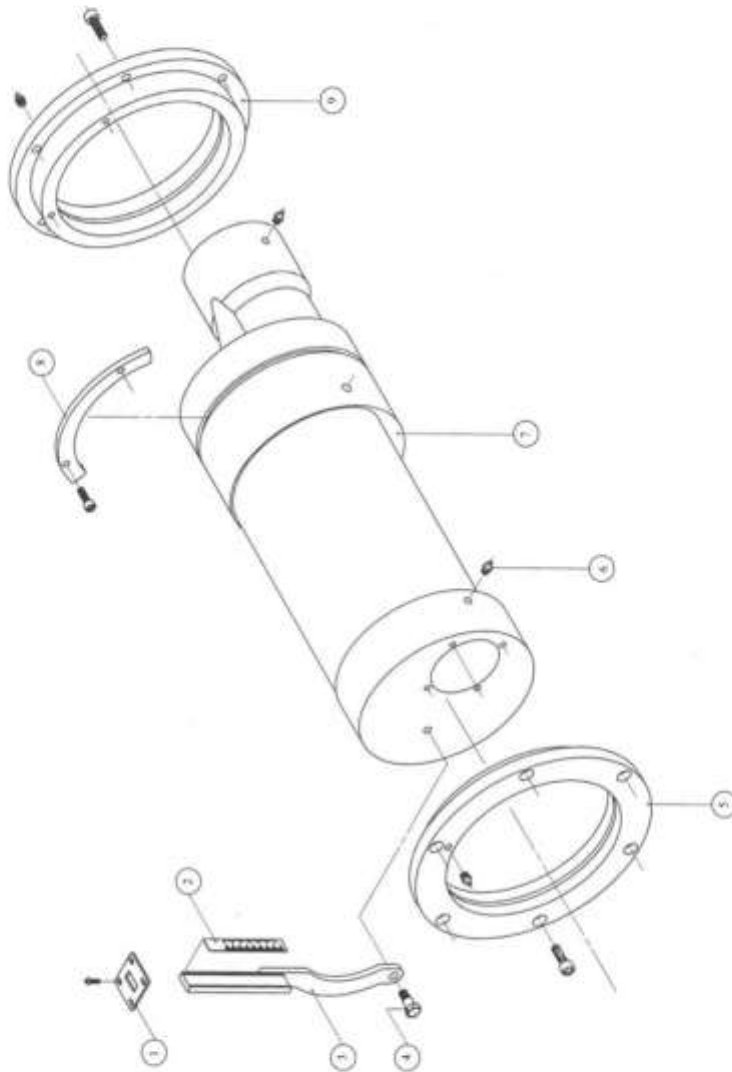
11: Drawing # (Ex: 01 for drawing #1)

22: Part # (Ex: 01 for part #1)

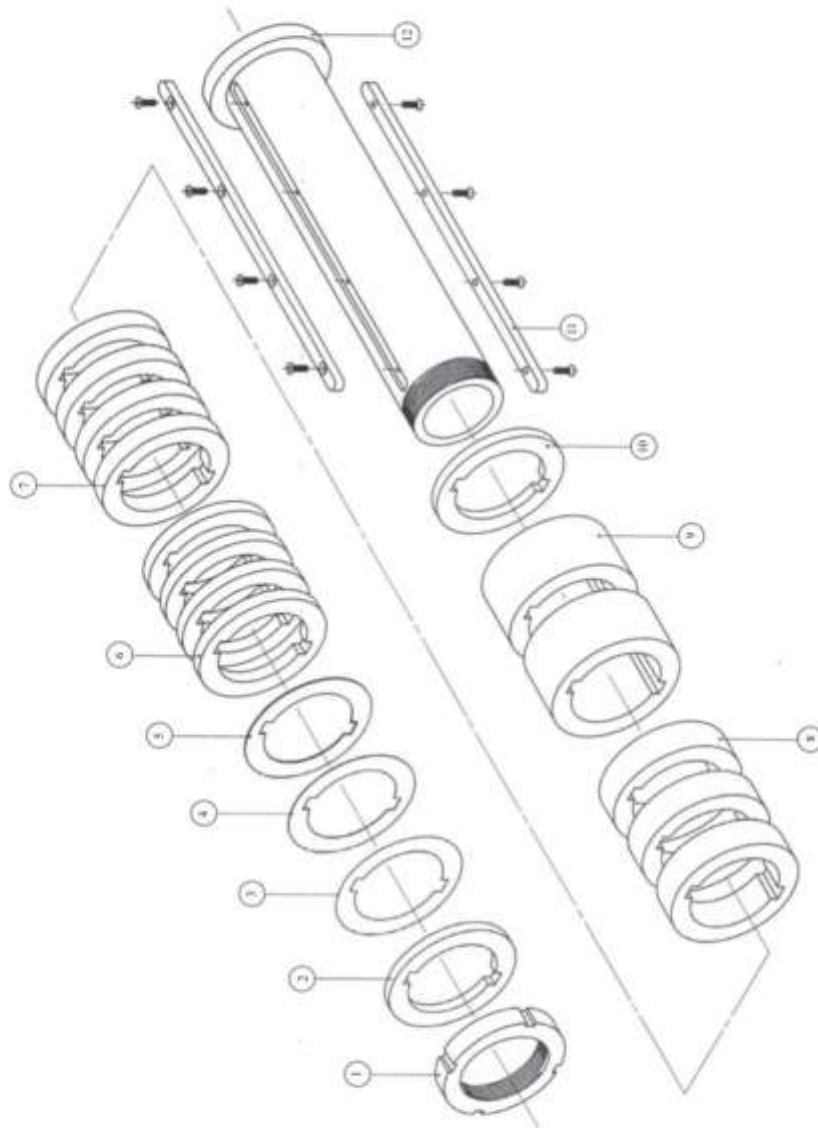
Drawing 1. Saw Arbor



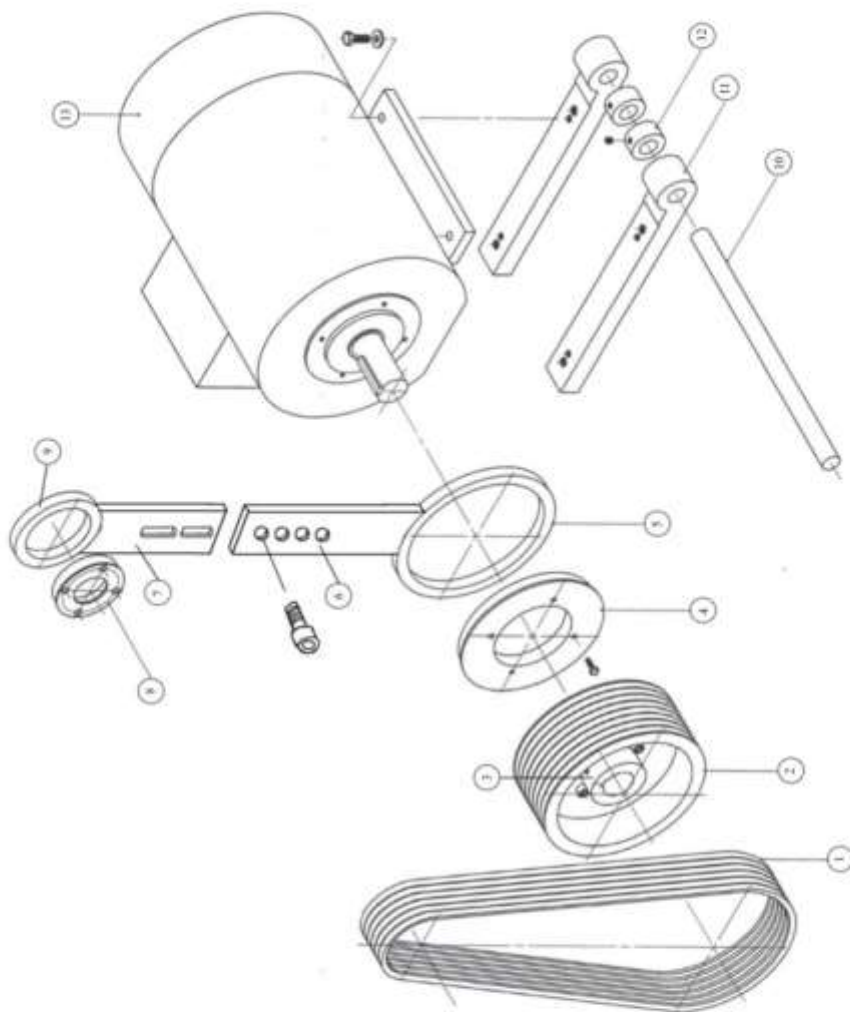
Drawing 2. Eccentric Mechanism



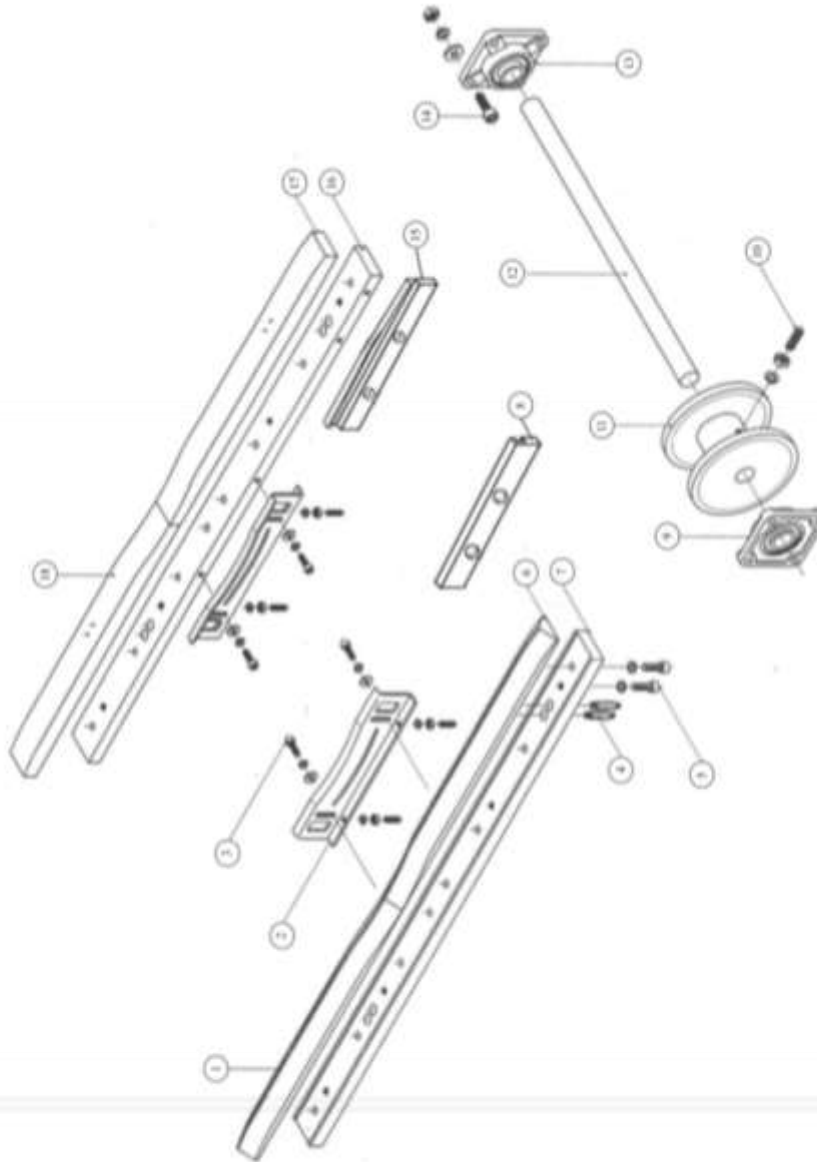
Drawing 4. Spacer Set & Saw Sleeve



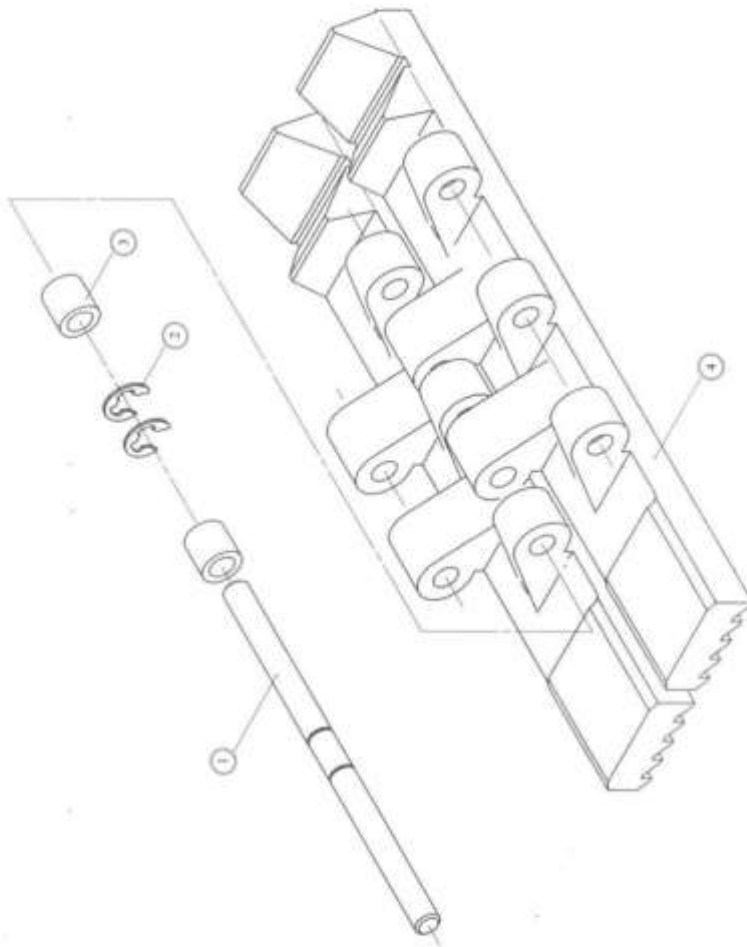
Drawing 5. Adjustable Linkage



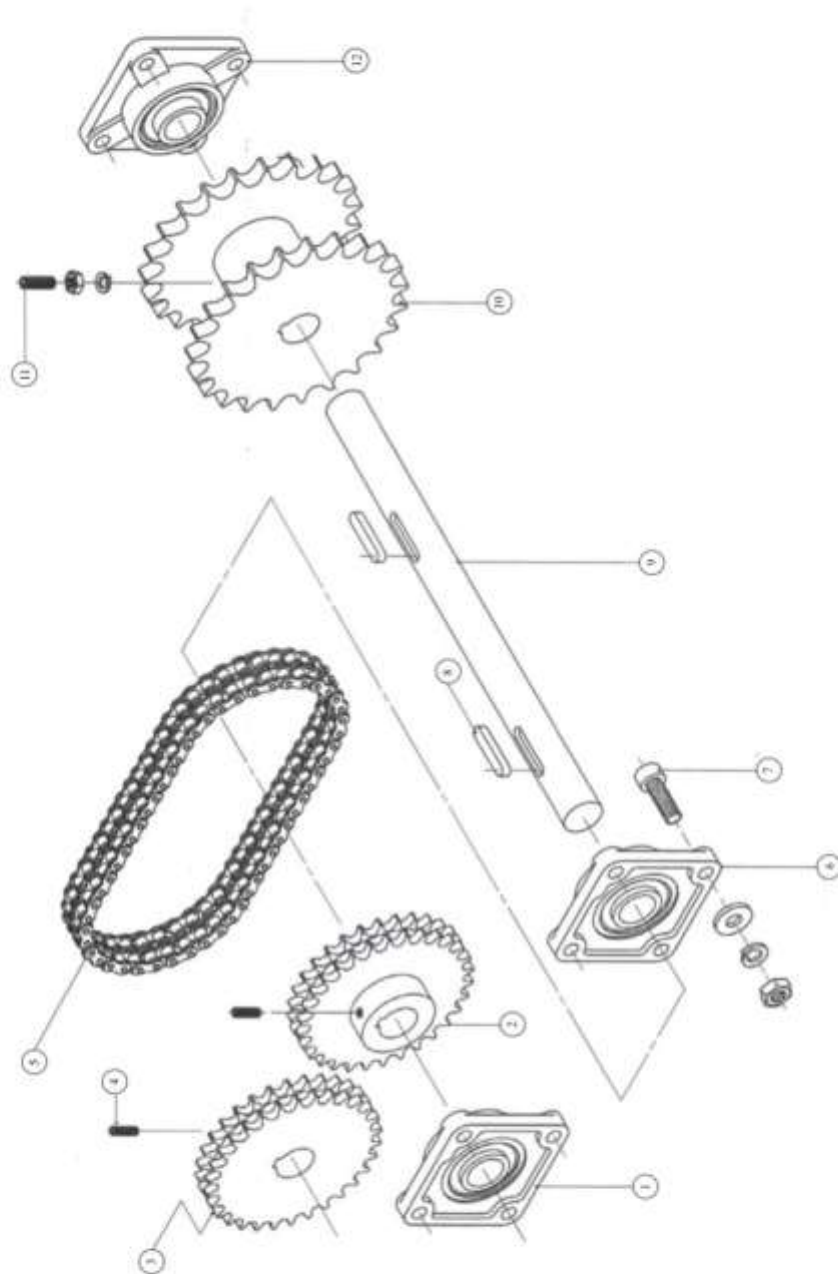
Drawing 6. Chain Bed & Wheels



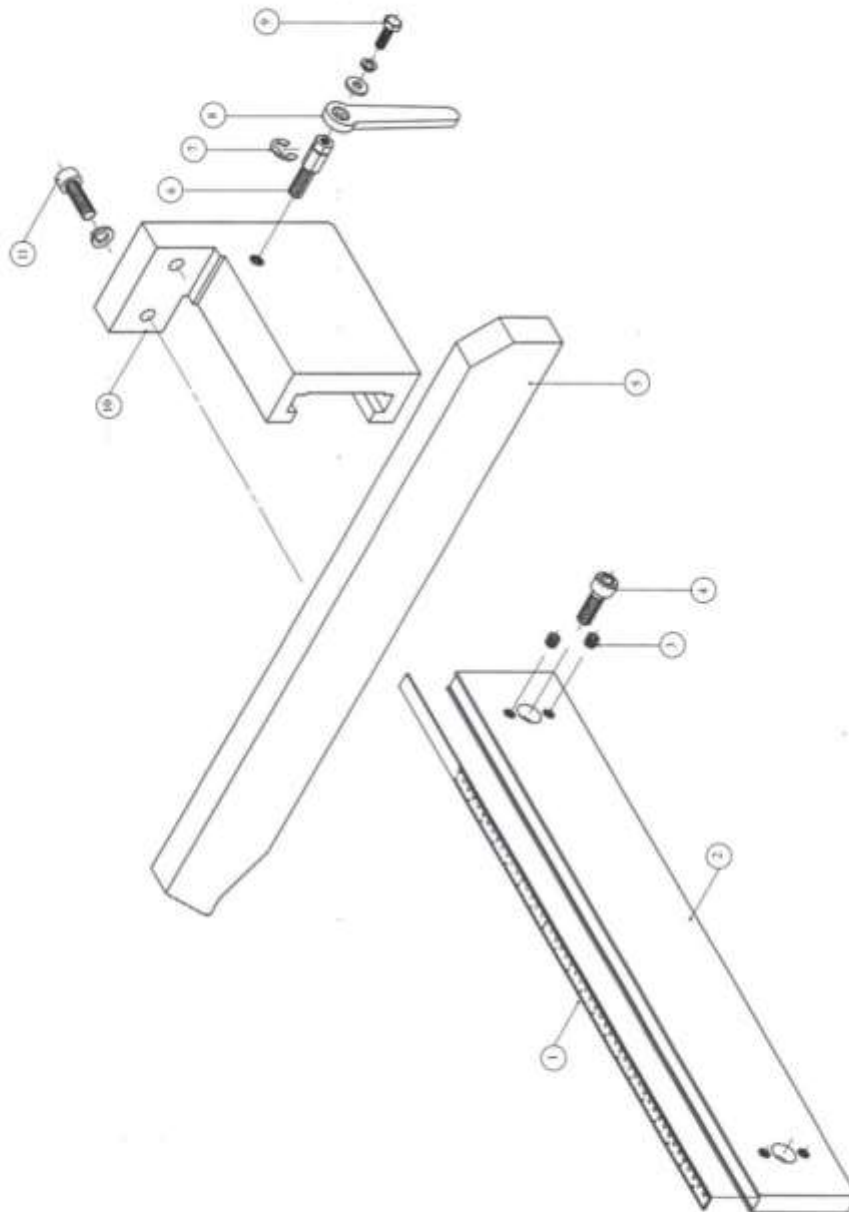
Drawing 7. Chain Elements



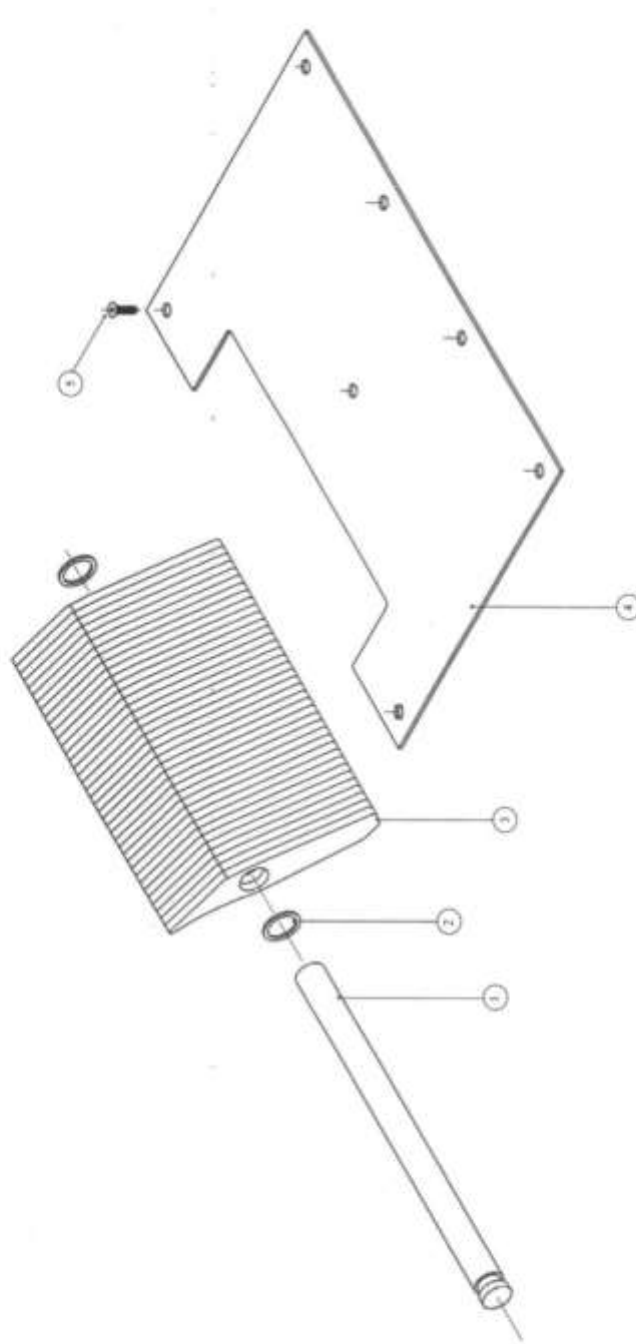
Drawing 9. Gear Wheel



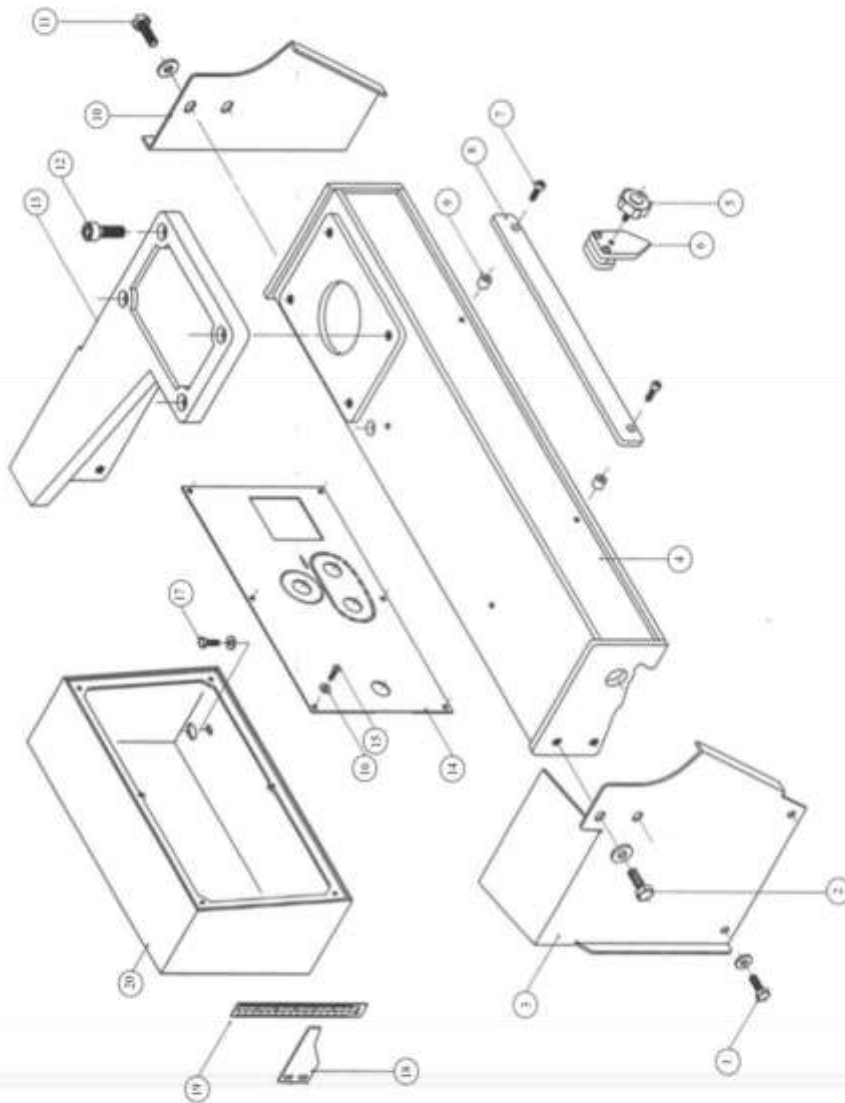
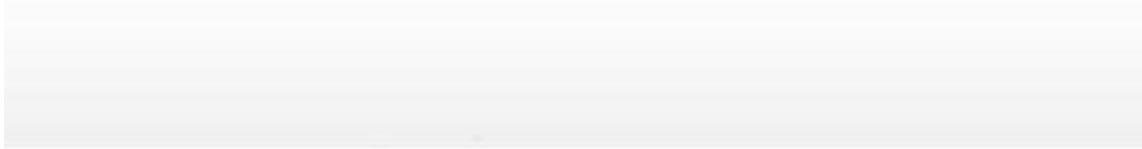
Drawing 10. Guiding Fence



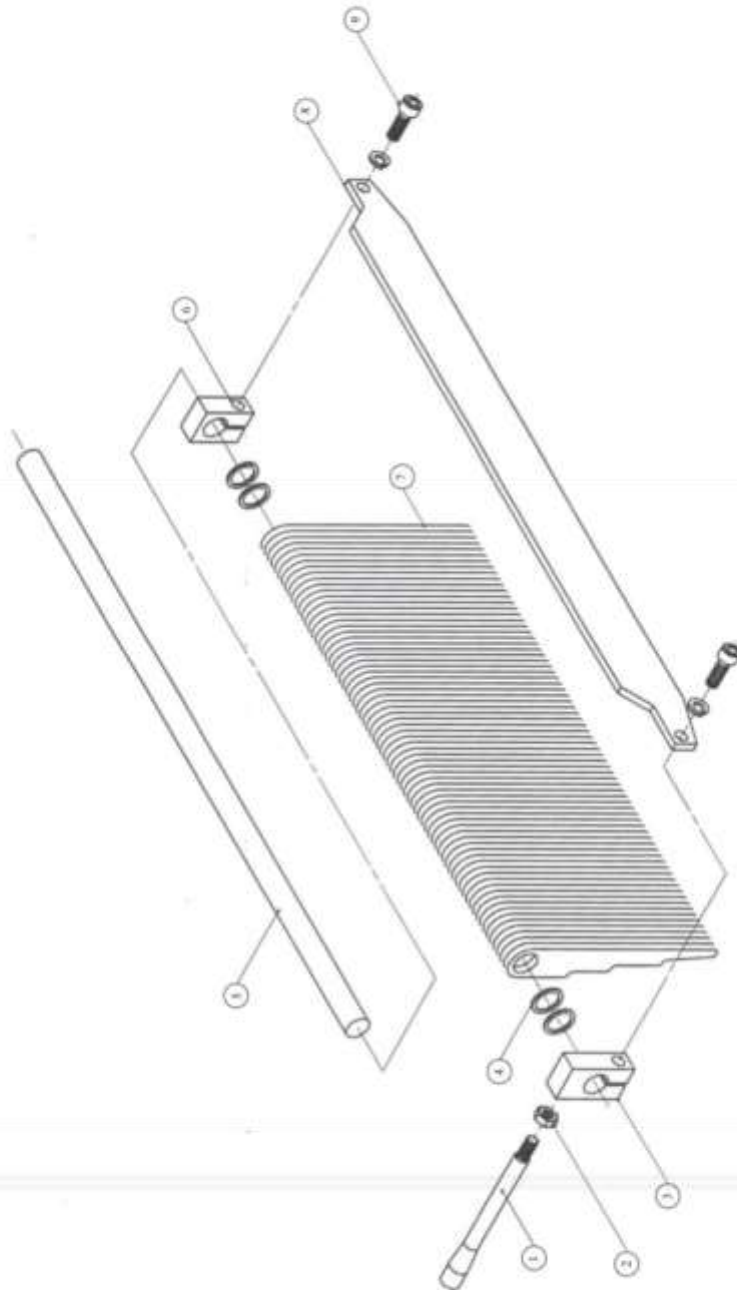
Drawing 11. Anti-Kickback Finger(B)



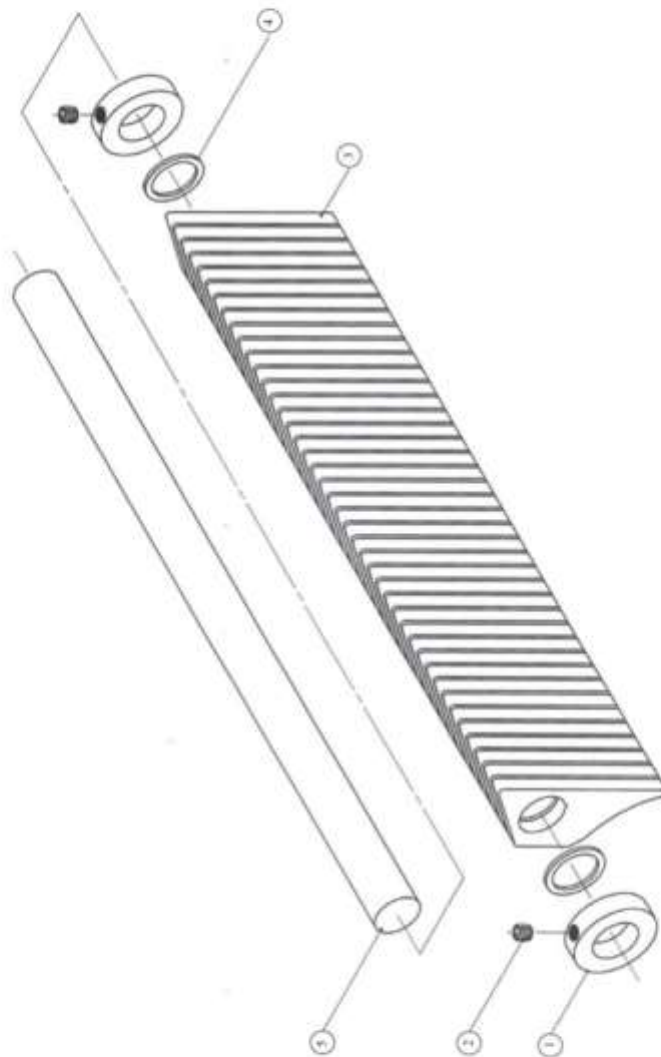
Drawing 12. Control Panel



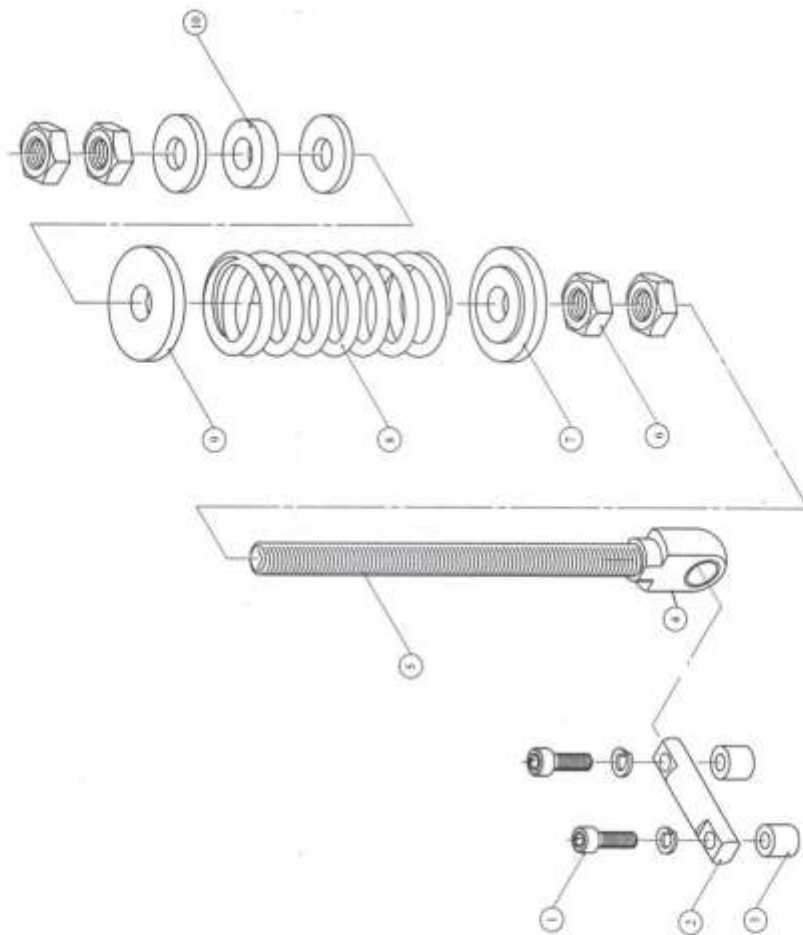
Drawing 13. Anti-Kickback Finger (TF)



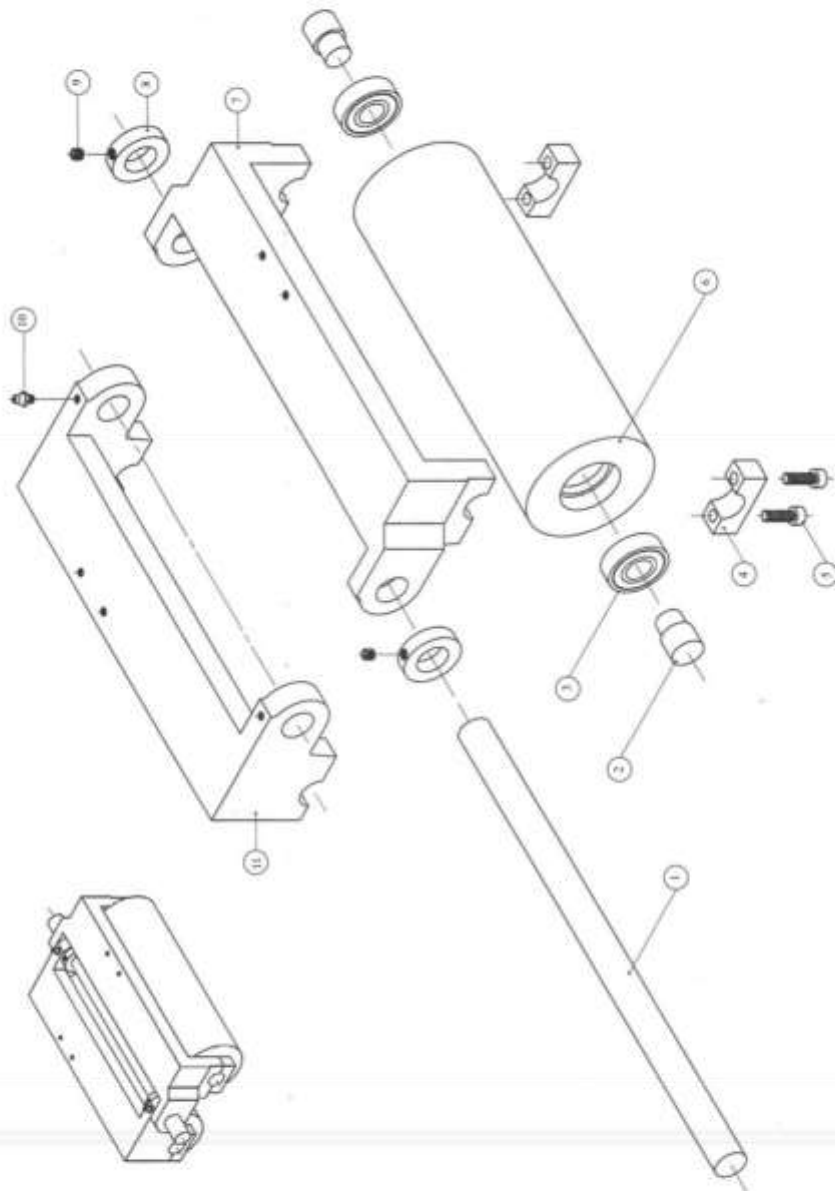
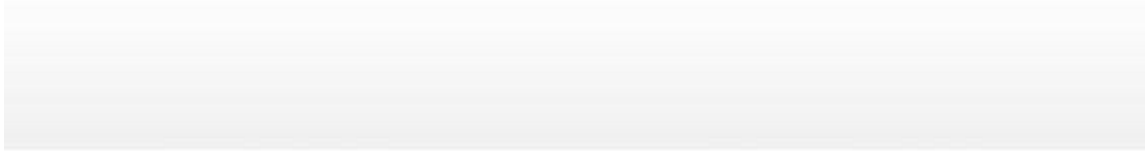
Drawing 14. Anti-Kickback Finger (TR)



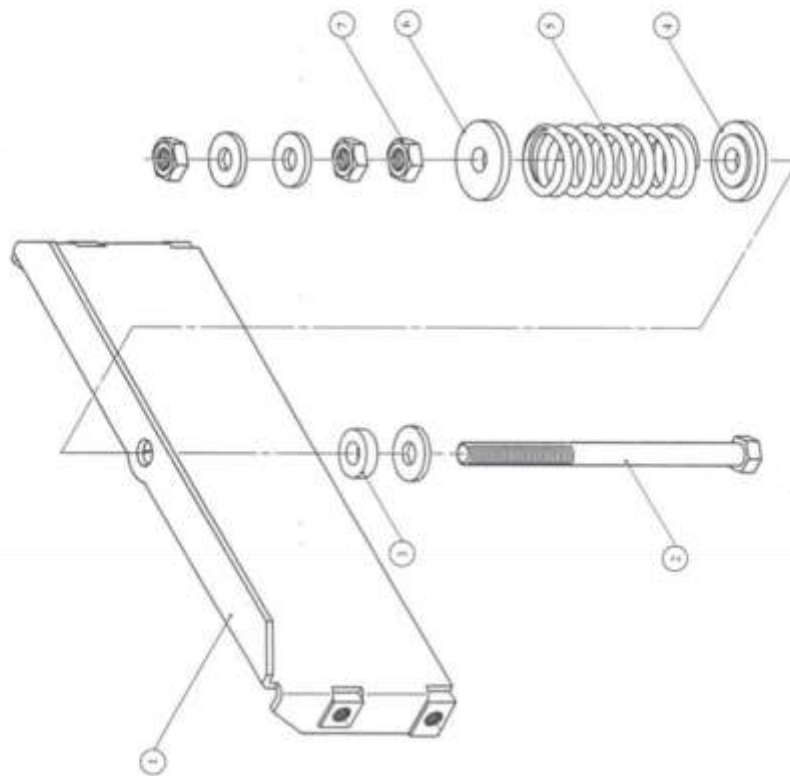
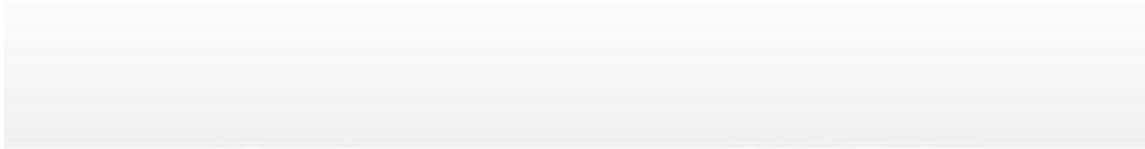
Drawing 15. Pressure Roller Spring



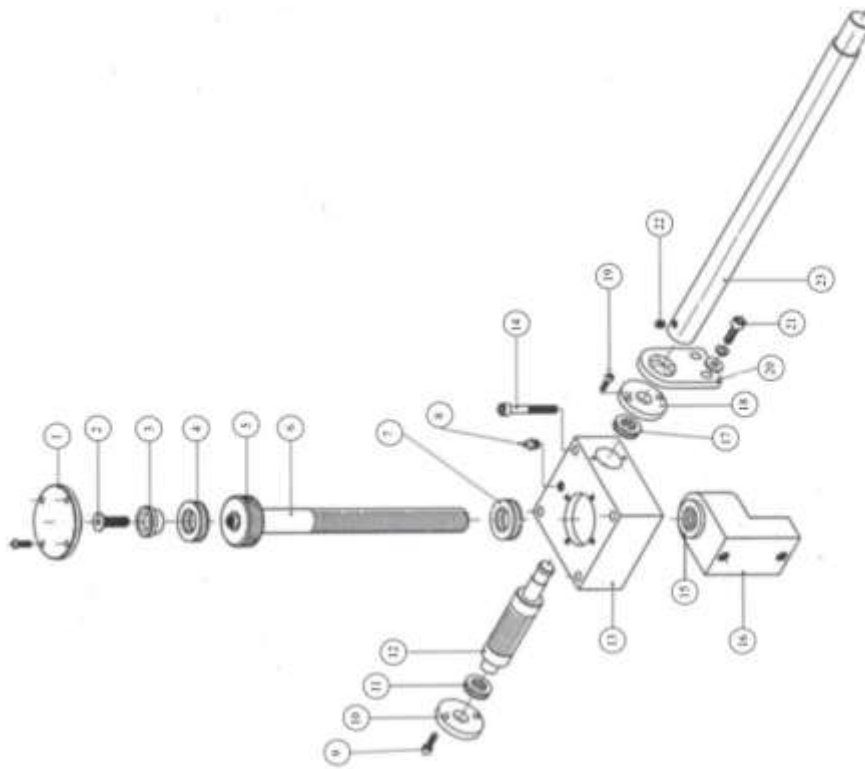
Drawing 16. Pressure Roller Stand



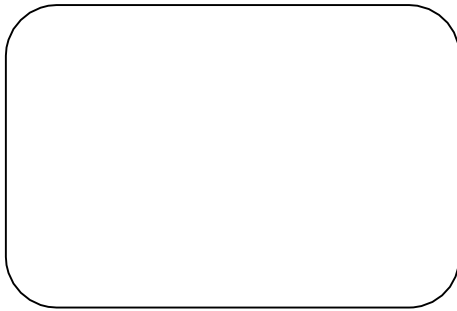
Drawing 18. Pressure Plate Seat



Drawing 19. Roller Elev. Handwheel



Serial Number of the Machine



Advanced Machinery Services

Skeffington Mill, A47 Uppingham Road, Skeffington, Leicestershire, LE7 9YE

Tel: +44 0844 844 9949

Email: sales@advancedmachinery.co.uk

Web: www.advancedmachinery.co.uk

Version: 2022-01

